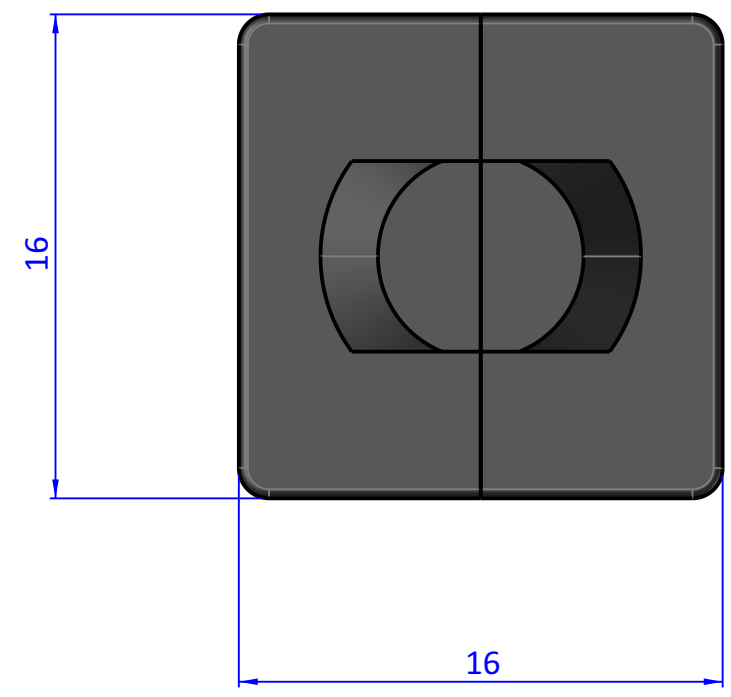
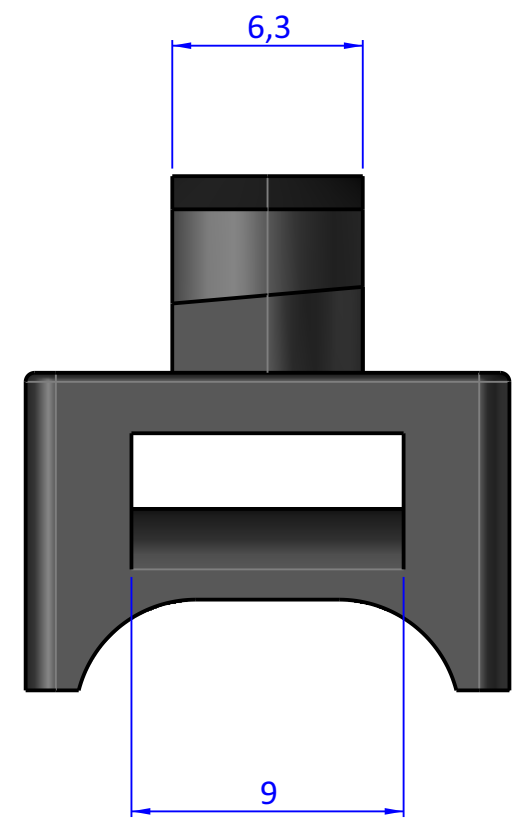
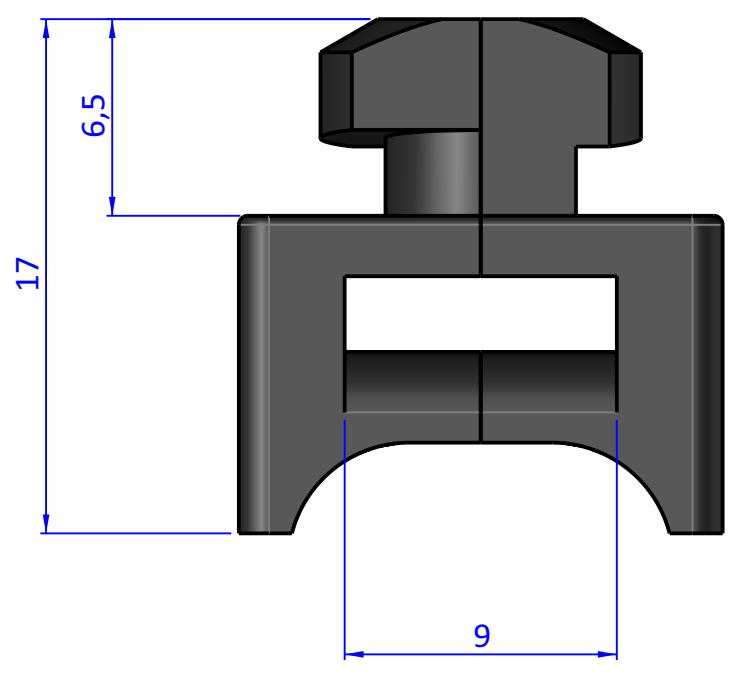
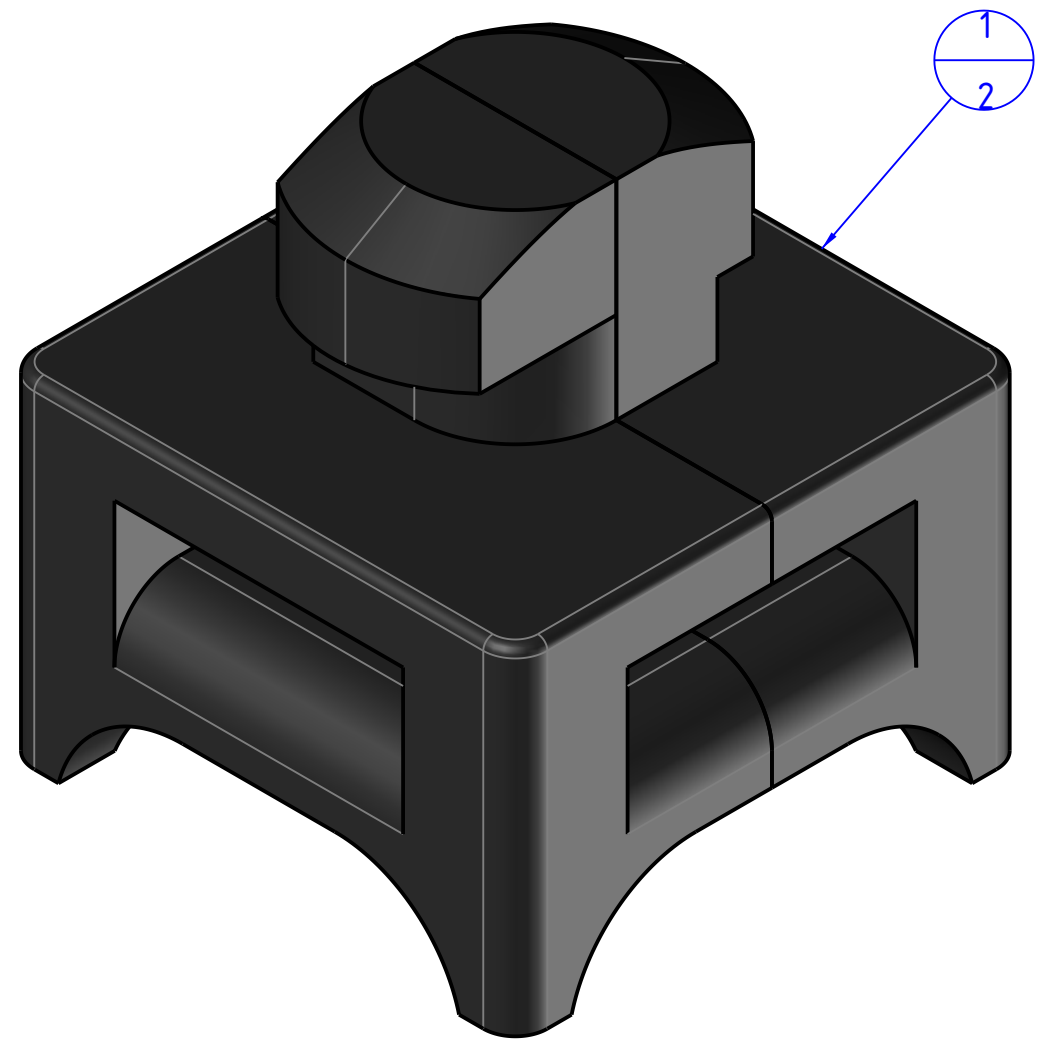

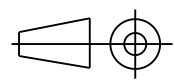


THE PROPERTY OF THE DRAWING IS ESTABLISHED BY LAW. IT IS FORBIDDEN TO PRODUCE OR SHOW IT TO THIRD PART - WITHOUT A WRITTEN AGREEMENT.



Format A3
UNI 936-76

| | | | | |
|--|-------------|---|----------------|---------|
|  FPS FPSERVICES AUTOMATION | |  | DESIGNED FROM | REVIEW |
| | | | FPS Automation | A |
| GENERAL TOLERANCE | DESCRIPTION | CA.KBS | DATE | WEIGHT |
| UNI - ISO 2768 | | | 02/09/2022 | 0,008kg |
| CLASSE f | | | CODE | CA.KBS |